



DESCRIPTION

The IX-DVF-PR is an IX Series vandal-resistant door station with a built-in AC-PROX-1G proximity card reader. The door station can be surface or flush mounted. The intercom portion of the IX-DVF-PR uses Cat-5e or Cat-6 cable connected to a PoE switch for power and communication. The reader connects to an access control system with a standard Wiegand interface.

In addition to the proximity reader, the IX-DVF-PR features a camera, microphone, and speaker to allow visitors to be screened. The camera offers an LED for low light illumination. When the call button is pushed, the station will call its programmed destination.

The AC-PROX-1G is a 125kHz Wiegand proximity reader. It features up to a 6" non-contact read range. It is compatible with Aiphone 40-bit credentials, as well as certain HID®, AWID®, and Pyramid credentials. The reader requires a connection to a compatible access control system.

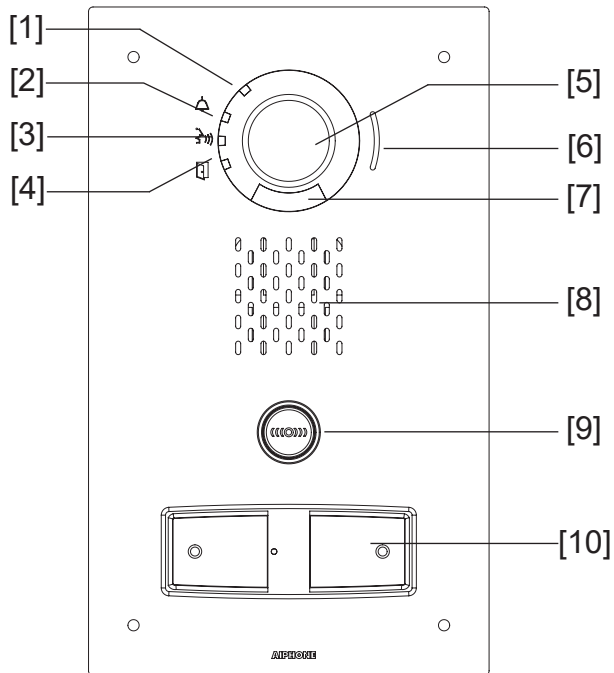
FEATURES

- 1.23 megapixel fixed video camera
- White LED for low light illumination
- Camera vertical adjustment +15°, 0°, or -8° (manual)
- Built-in proximity card reader
- Flush mount with included back box
- Weather and vandal-resistant stainless-steel panel
- Slot for microSD™ card
- Two contact outputs, six trigger inputs
- 802.3af PoE
- RJ45 in/out with PoE pass through (802.3at Type 2 PoE+)

IX-DVF-PR

Flush-Mount IP Video Door Station with Proximity Card Reader

FEATURE CALL-OUT



- [1] Status indicator (orange/blue)
- [2] Call indicator (green)
- [3] Communication indicator (green)
- [4] Door release indicator (green)
- [5] Camera
- [6] Microphone
- [7] LED for night illumination
- [8] Speaker
- [9] Call button
- [10] Card Reader

DOOR STATION SPECIFICATIONS

Power Source:	PoE (IEEE 802.3af class 0) or 24V DC (PS2420UL)
Power Draw:	5.28W
Camera:	1/3" CMOS 1.23 megapixel
Min. Illumination:	5 lux
Audio Codec:	G.711 (μ -law, A law), G.722
Protocols:	IPv4, IPv6, TCP, UDP, SIP, HTTP, HTTPS, RTSP, RTP, RTCP, IGMP, MLD, SMTP, SFTP, DHCP, NTP, DNS
Port Security:	IEEE 802.1X
Operation Temp:	-31 $^{\circ}$ ~140 $^{\circ}$ F (-35 $^{\circ}$ ~60 $^{\circ}$ C)
Protection:	IK65
Impact Protection:	IK08
Dimensions:	11-11/16" H x 7" W x 2-1/16" D

CARD READER SPECIFICATIONS

Power Input:	5~14V DC
Power Draw:	45mA
Frequency:	125kHz
Certifications:	CSA, FCC, CE, C-Tick